

MOTOPLASTIC, S.A.

Molí de la sal, 1 - 08403 Granollers (Barcelona) SPAIN

Tel. 34 93 849 06 33 - Fax 34 93 849 09 88

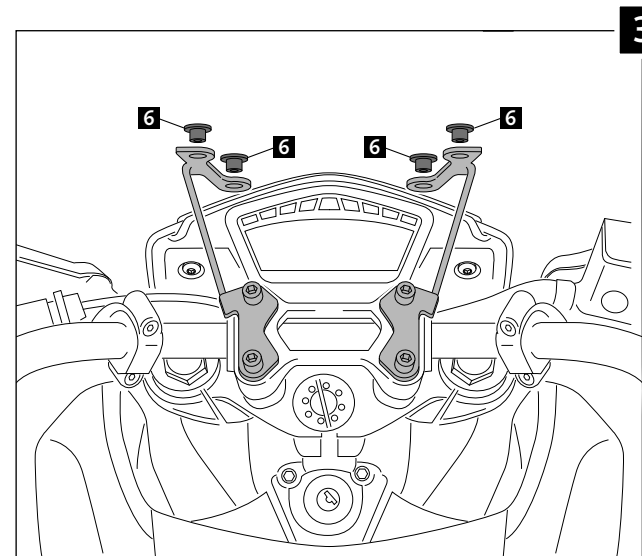
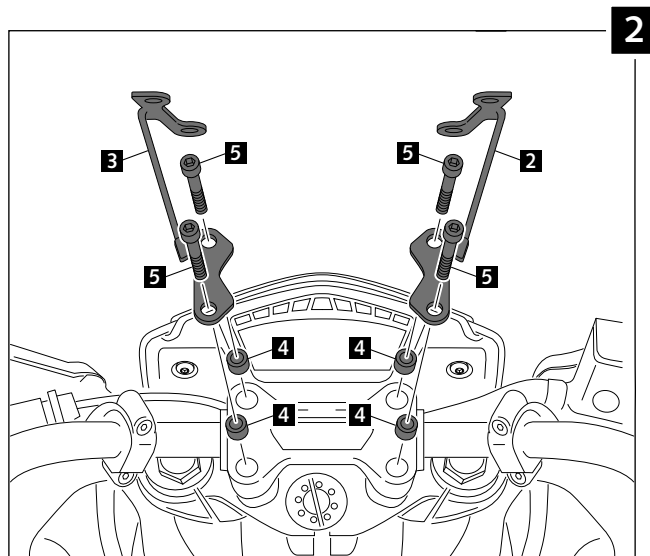
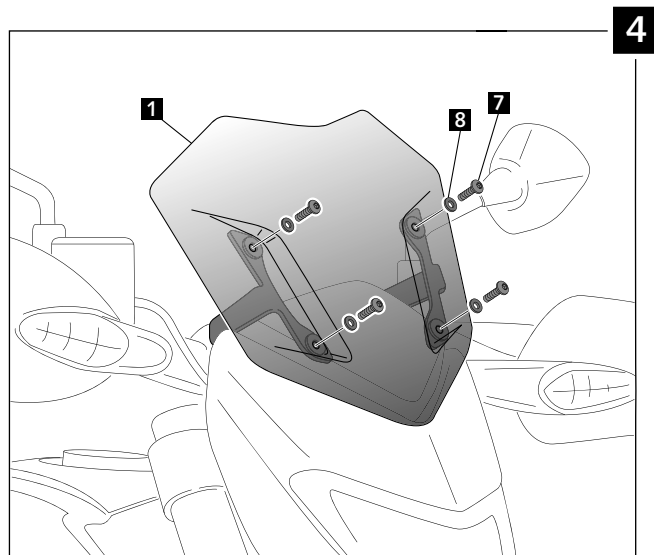
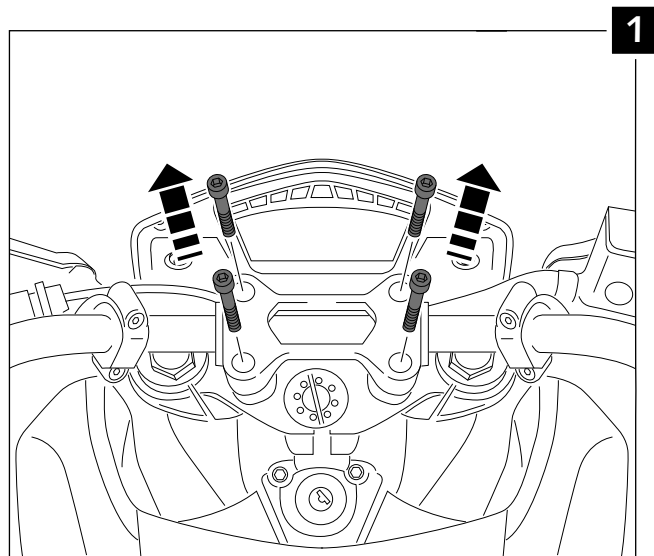
info@puig.tv - info@puigusa.com

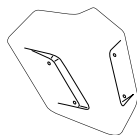
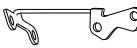
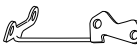
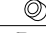

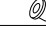
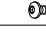

www.puig.tv - www.puigusa.com

INSTRUCCIONES DE MONTAJE - MOUNTING INSTRUCTIONS - MONTAGEANLEITUNG

CARENABRÍS ADAPTABLE A – WINDSHIELD FOR – SCHEIBE FÜR DUCATI HYPERMOTARD/SP 13^l-

Ref.: 6489



ID.	DESCRIPCIÓN	DESCRIPTION	QTY.
1	 Carenabrís	Windshield	1
2	 Soporte metálico derecho	Right metal support	1
3	 Soporte metálico izquierdo	Left metal support	1
4	 Casquillo Ø int. 8 x Ø ext. 13x15	Ø inner 8 x Ø outer 13x15 arrowhead	4
5	 Tornillo Allen DIN 912 M8x50	M8x50 Allen screw DIN 912	4
6	 Silemblock M5	M5 Silemblock	4
7	 Tornillo Allen M5x16 ISO 7380	M5x16 ISO 7380 Allen screw	4
8	 Arandela nylon M5x0,5	M5x0,5 nylon washer	4